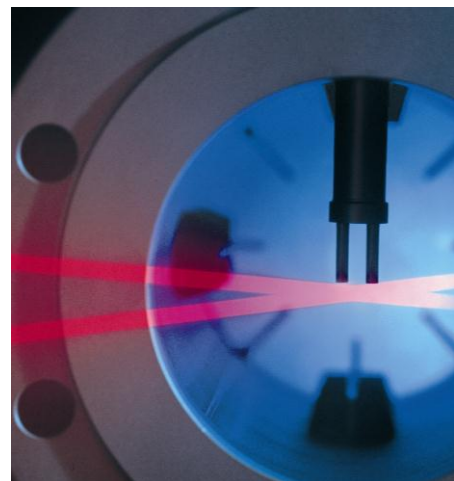
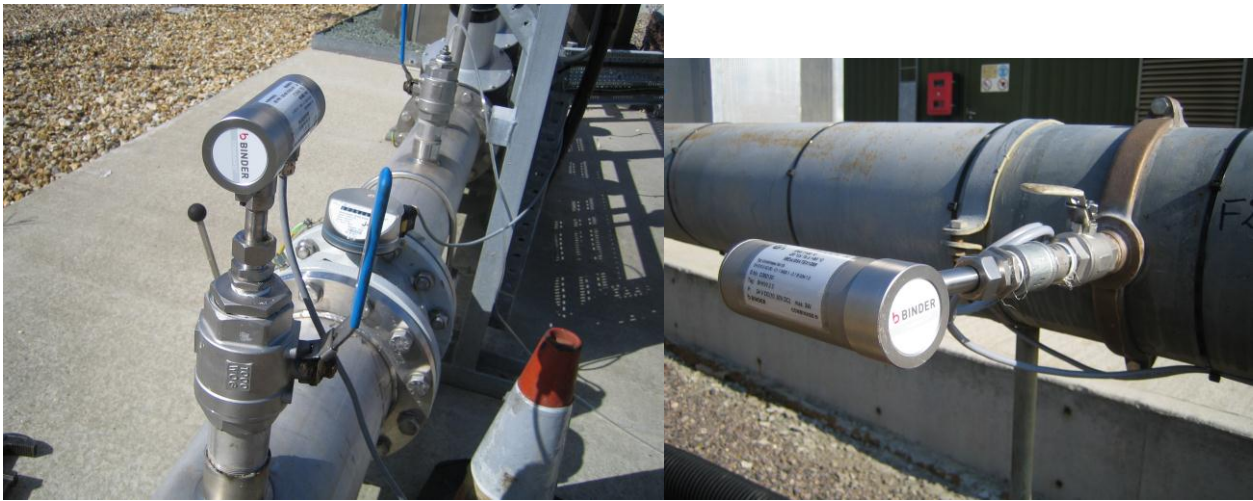


COMBIMASS[®]

Technical Data
COMBIMASS[®] Hot tapping unit
Version 2012-01



THE SYSTEM COMBIMASS®

The field transmitters of the COMBIMASS® eco series are suitable for gas flow measurement and cover a wide range of different applications. The instruments can be employed for process temperatures up to 290°C and are available in different explosion proof versions. The flow transmitters apply thermal dispersion technology in order to measure directly the normal volumetric or gas mass flow, regardless of the operating pressure and temperature of the medium.

All units of the COMBIMASS® series are characterized by high-performance digital signal processing. Important features of the transmitter electronics for the purposes of practical operation are the temperature compensation and the opportunity to select different measuring modes (choice between constant current or constant temperature principle). The flow transmitter can be combined with a wide range of different sensors of the COMBIMASS® family and assembled individually according to the specific application.

Using the COMBIMASS® hot tapping unit, the flowmeter can be removed gastight during operation for check and maintenance. It is available in three different sizes for sensors 12, 18 and 25 mm.

ADVANTAGES

- flow sensor can be removed during operation gastight
- removal also at higher temperatures and gas pressures possible
- ball valve also with DVGW-approval available
- compact, rugged, reliable, without wear and corrosion-proof
- easy installation and maintenance

TECHNICAL DATA

Sensor diameter	connection	reduction	Min. size of hole
12 mm	½"		14 mm
18 mm	1"	1" to ¾"	20 mm
25 mm	1 ¼"		28 mm

DRAWING

Dimensions in mm

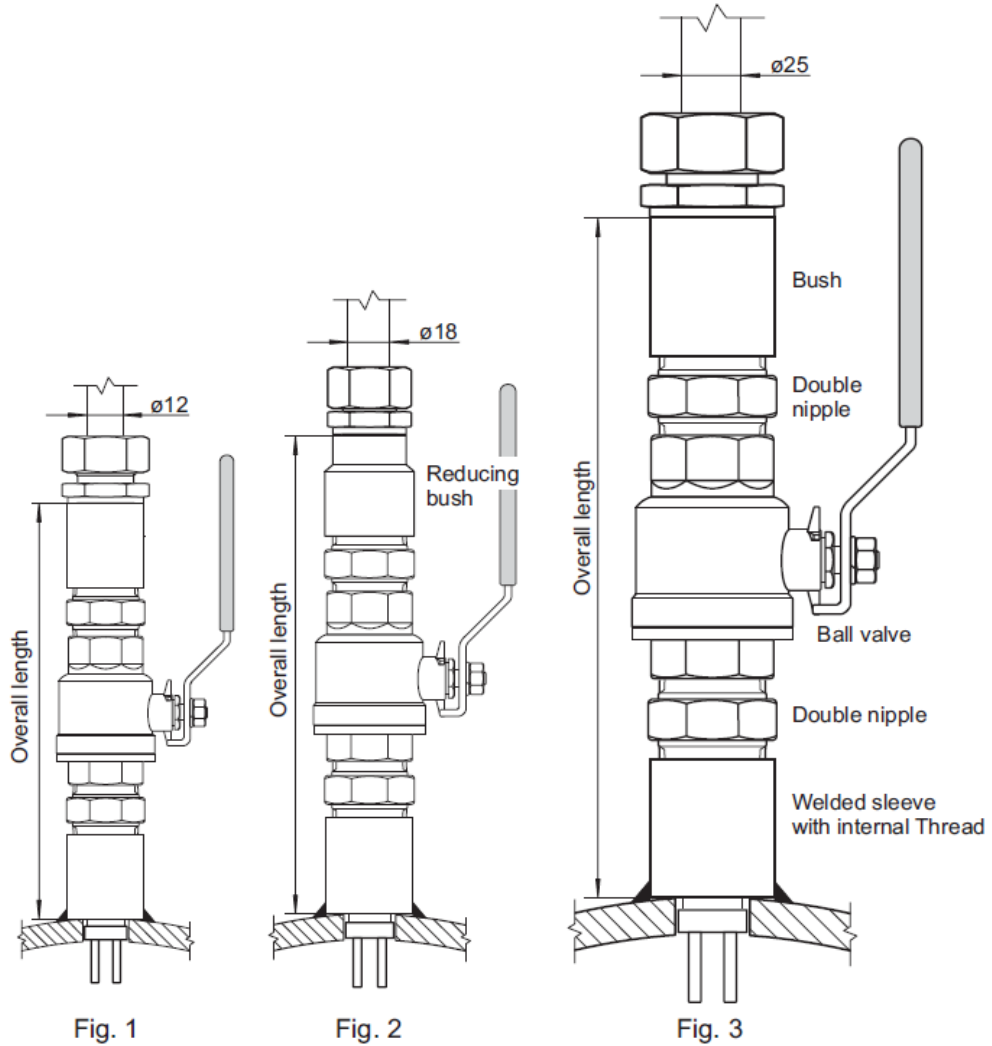


	Fig. 1	Fig. 2	Fig. 3
\varnothing Sensor rod	$\varnothing 12$	$\varnothing 18$	$\varnothing 25$
Nominal diameter hot tapping unit	1/2"	1"	1 1/4"
Overall length	155	205	225

IMPRESSUM

BINDER GmbH
Buchbrunnenweg 18
89081 Ulm, Germany
Tel. +49 731 18998-0
Fax +49 731 18998-88

info@bindergroup.info
www.bindergroup.info

BIDE-M-D-COMBIMASS OEIN-EN-R0 Data sheet
COMBIMASS Hot tapping unit